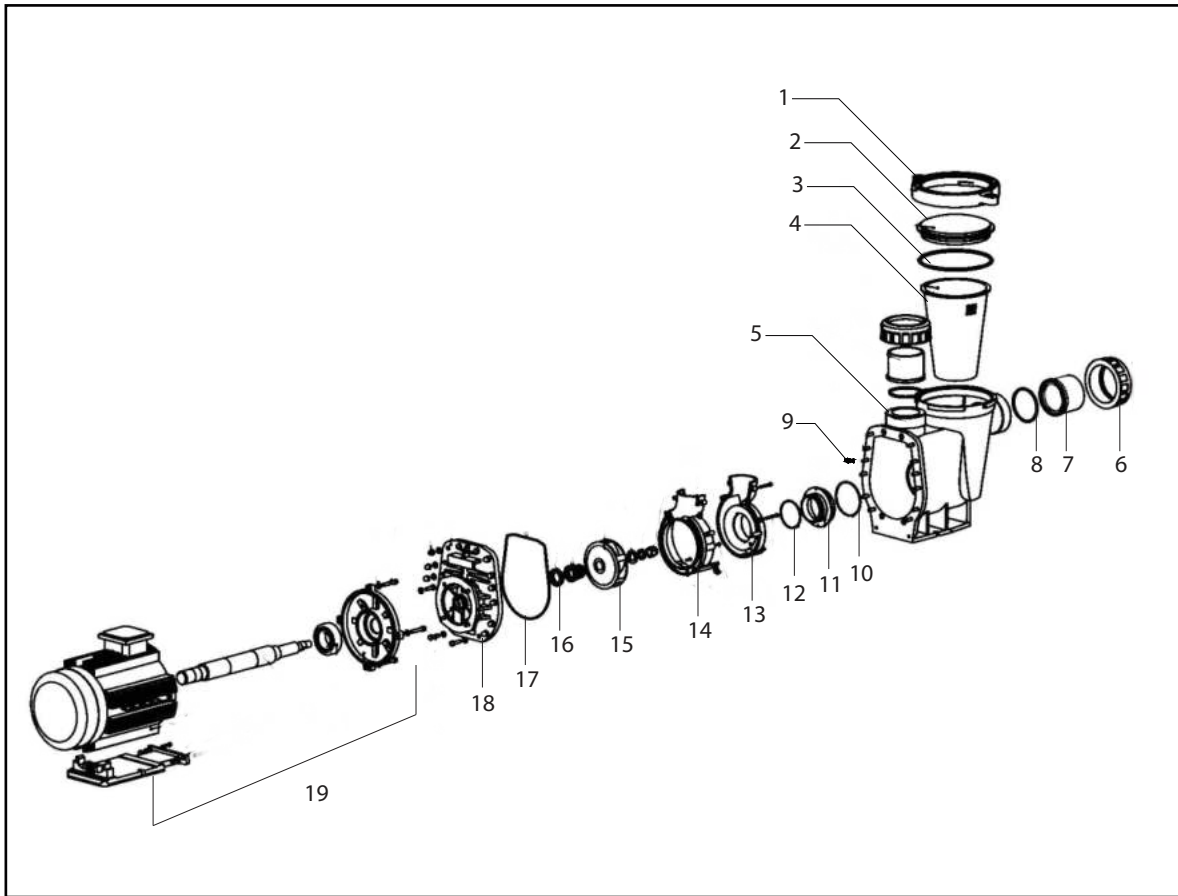


MTX 750, MTX 1000, MTX 1500



| INDEX | PRODUCT | DESCRIPTION | QUANTITY | NOTE |
|-------|---------|----------------------------|----------|------|
| 1 | 90533 | Nut for Lid | 1 | |
| 2 | 90534 | Lid (Transparent) | 1 | |
| 3 | 90524 | O-ring for Lid | 1 | |
| 4 | 90542 | Strainer Basket | 1 | |
| 5 | 90529 | Wet-end Body | 1 | |
| 6 | 90541 | Union Nut | 1 | |
| 7 | 90540 | Union Adapter | 1 | |
| 8 | 90527 | Union O-ring | 1 | |
| 9 | 90539 | Drain plug | 1 | |
| 10 | 90528 | Gasket for Interface 1 | 1 | |
| 11 | 90168 | Interface | 1 | |
| 12 | 90538 | Gasket for Interface 2 | 1 | |
| 13 | 90536 | Water device 1 | 1 | |
| 14 | 90537 | Water device 2 | 1 | |
| 15 | 90530 | Impeller (MTX750) | 1 | |
| | 90531 | Impeller (MTX1000,MTX1500) | 1 | |
| 16 | 90543 | Mechanical Seal | 1 | |
| 17 | 90525 | O-ring for Wet-end cover | 1 | |
| 18 | 90532 | Wet-end flange | 1 | |
| | 90544 | Motor (MTX750) | 1 | |
| 19 | 90545 | Motor (MTX1000) | 1 | |
| | 90546 | Motor (MTX1500) | 1 | |